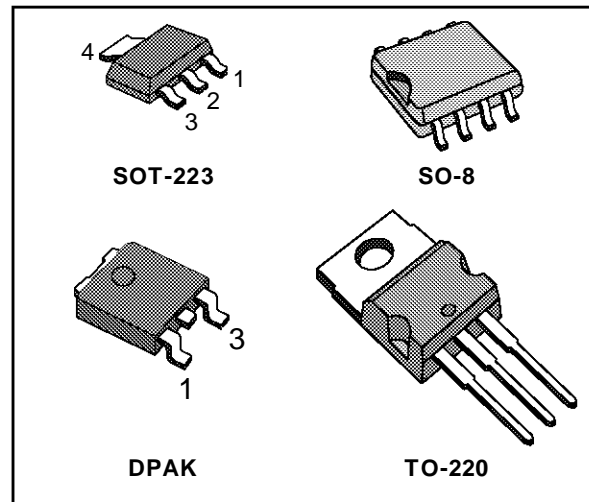


**LOW DROPOUT FIXED AND ADJUSTABLE
POSITIVE VOLTAGE REGULATORS**

PRELIMINARY DATA

- LOW DROPOUT VOLTAGE (1V TYP)
- 2.85V DEVICE PERFORMANCES ARE SUITABLE FOR SCSI-2 ACTIVE TERMINATION
- OUTPUT CURRENT UP TO 800mA
- FIXED OUTPUT VOLTAGE OF: 2.5V, 2.85V, 3.0V, 3.3V, 5.0V
- ADJUSTABLE VERSION AVAILABILITY ($V_{ref}=1.25V$)
- INTERNAL CURRENT AND THERMAL LIMIT
- AVAILABLE IN $\pm 1\%$ (AT $25^{\circ}C$) AND 2% IN ALL TEMPERATURE RANGE
- SUPPLY VOLTAGE REJECTION : 75 dB (TYP)
- TEMPERATURE RANGE : $0^{\circ}C$ TO $125^{\circ}C$

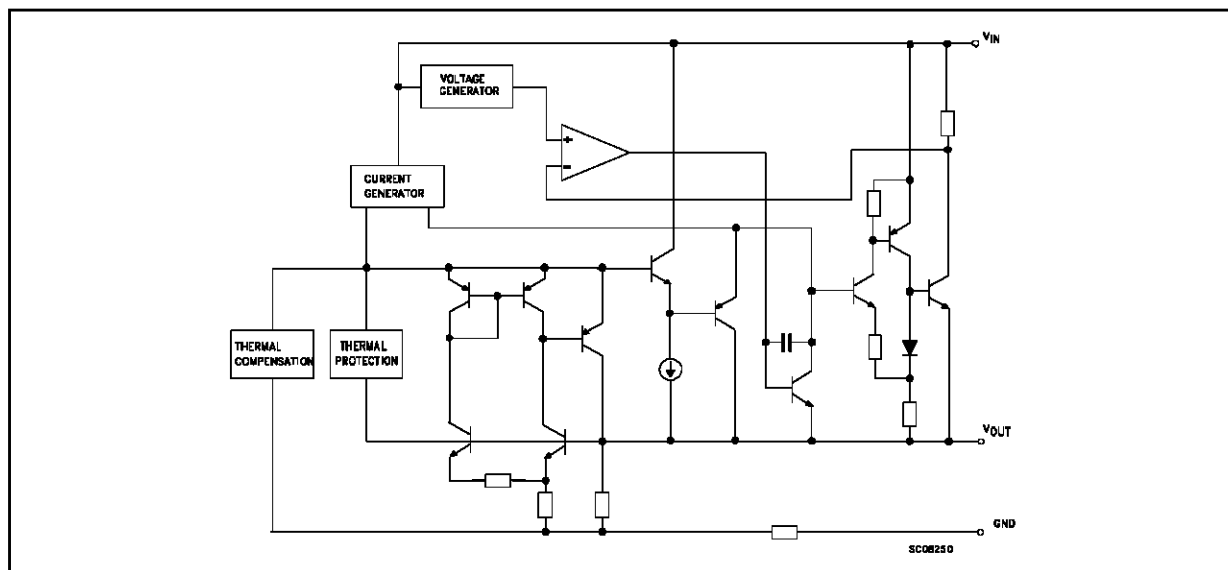


DESCRIPTION

The LD1117 is a LOW DROP Voltage Regulator able to provide up to 800mA of Output Current, available even in adjustable version ($V_{ref}=1.25V$). Concerning fixed versions, are offered the following Output Voltages: 2.5V, 2.85V, 3.0V 3.3V and 5.0V. The 2.85V type is ideal for SCSI-2 lines active termination. The device is supplied in: SOT-223, DPAK, SO-8 and TO-220. The SOT-223 and DPAK surface mount packages optimize the thermal characteristics even offering a relevant space saving effect. High efficiency is assured by NPN

pass transistor. In fact in this case, unlike than PNP one, the Quiescent Current flows mostly into the load. Only a very common $10\mu F$ minimum capacitor is needed for stability. On chip trimming allows the regulator to reach a very tight output voltage tolerance, within $\pm 1\%$ at $25^{\circ}C$. The ADJUSTABLE LD1117 is pin to pin compatible with the other standard Adjustable voltage regulators maintaining the better performances in terms of Drop and Tolerance.

BLOCK DIAGRAM



LD1117 SERIES

ABSOLUTE MAXIMUM RATINGS

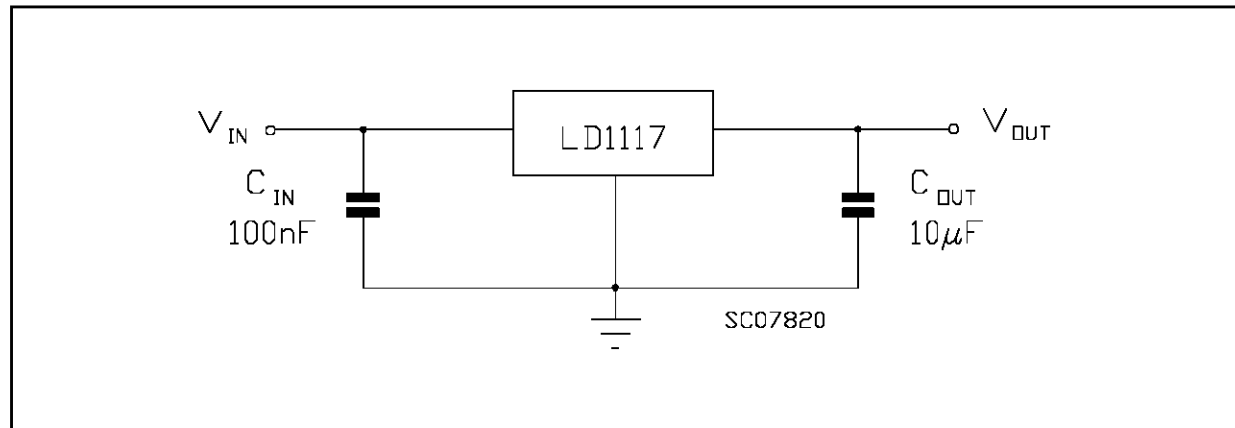
Symbol	Parameter	Value	Unit
V_{IN}	DC Input Voltage	20	V
I_O	Output Current	Internally Limited	mA
P_{tot}	Power Dissipation	Internally Limited	mA
T_{stg}	Storage Temperature Range	-40 to 150	°C
T_{op}	Operating Junction Temperature Range	0 to 125	°C

Absolute Maximum Ratings are those value beyond which damage to the device may occur. Functional operation under these condition is not implied.

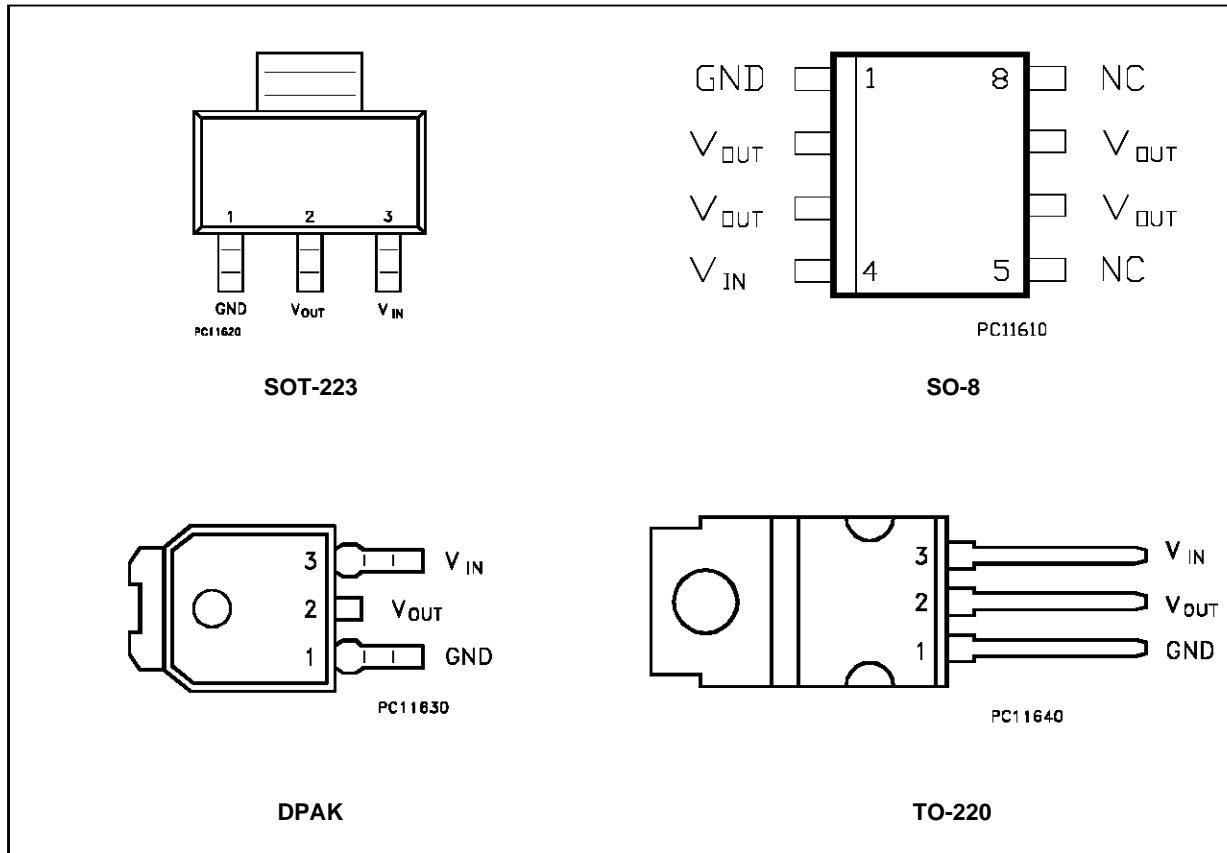
THERMAL DATA

Symbol	Parameter	SOT-223	SO-8	DKAK	TO-220	Unit
$R_{thj-case}$	Thermal Resistance Junction-case	15	20	8	3	°C/W
$R_{thj-amb}$	Thermal Resistance Junction-ambient				50	°C/W

APPLICATION CIRCUIT



CONNECTION DIAGRAM AND ORDERING NUMBERS (top view)



SOT-223	SO-8	DPAK	TO-220	Output Voltage
LD1117S25	LD1117D25	LD1117DT25	LD1117V25	2.5V
LD1117S25C	LD1117D25C	LD1117DT25C	LD1117V25C	2.5V
LD1117S285	LD1117D285	LD1117DT285	LD1117V285	2.85V
LD1117S30	LD1117D30	LD1117DT30	LD1117V30	3V
LD1117S30C	LD1117D30C	LD1117DT30C	LD1117V30C	3V
LD1117S33	LD1117D33	LD1117DT33	LD1117V33	3.3V
LD1117S33C	LD1117D33C	LD1117DT33C	LD1117V33C	3.3V
LD1117S50	LD1117D50	LD1117DT50	LD1117V50	5V
LD1117S50C	LD1117D50C	LD1117DT50C	LD1117V50C	5V
LD1117S	LD1117D	LD1117DT	LD1117V	ADJUSTABLE FROM 1.25 TO 15V

LD1117 SERIES

ELECTRICAL CHARACTERISTICS FOR LD1117#25 (refer to the test circuits,
 $P_D \leq 5W$; $T_j = 0$ to 125°C , $C_o = 10\ \mu\text{F}$ unless otherwise specified)

Symbol	Parameter	Test Conditions	Min.	Typ.	Max.	Unit
V_o	Output Voltage	$V_{in} = 4.5\ \text{V}$ $I_o = 10\ \text{mA}$ $T_j = 25^\circ\text{C}$	2.475	2.5	2.525	V
V_o	Output Voltage	$I_o = 0$ to $800\ \text{mA}$ $V_{in} = 4.25$ to $10\ \text{V}$ $I_o = 0$ to $500\ \text{mA}$ $V_{in} = 4\ \text{V}$	2.45 2.45		2.55 2.55	V V
ΔV_o	Line Regulation	$V_{in} = 3.9$ to $10\ \text{V}$ $I_o = 0\ \text{mA}$		1	6	mV
ΔV_o	Load Regulation	$V_{in} = 3.9\ \text{V}$ $I_o = 0$ to $800\ \text{mA}$		1	10	mV
ΔV_o	Temperature Stability			0.5		%
ΔV_o	Long Term Stability	1000 hrs $T_j = 125^\circ\text{C}$		0.3		%
V_{in}	Operating Input Voltage	$I_o = 100\ \text{mA}$			15	V
I_d	Quiescent Current	$V_{in} \leq 10\ \text{V}$		5	10	mA
I_o	Output Current	$V_{in} = 7.5\ \text{V}$	800	950	1200	mA
eN	Output Noise Voltage	$B = 10\text{Hz}$ to 10KHz $T_j = 25^\circ\text{C}$		100		μV
SVR	Supply Voltage Rejection	$I_o = 40\ \text{mA}$ $f = 120\ \text{Hz}$ $T_j = 25^\circ\text{C}$ $V_{in} = 5.5\ \text{V}$ $V_{\text{ripple}} = 1\ \text{Vpp}$	60	75		dB
V_d	Dropout Voltage	$I_o = 100\ \text{mA}$ $I_o = 500\ \text{mA}$ $I_o = 800\ \text{mA}$		1 1.05 1.15	1.1 1.2 1.3	V V V

ELECTRICAL CHARACTERISTICS FOR LD1117#285 (refer to the test circuits,
 $P_D \leq 5W$; $T_j = 0$ to 125°C , $C_o = 10\ \mu\text{F}$ unless otherwise specified)

Symbol	Parameter	Test Conditions	Min.	Typ.	Max.	Unit
V_o	Output Voltage	$V_{in} = 4.85\ \text{V}$ $I_o = 10\ \text{mA}$ $T_j = 25^\circ\text{C}$	2.82	2.85	2.88	V
V_o	Output Voltage	$I_o = 0$ to $800\ \text{mA}$ $V_{in} = 4.25$ to $10\ \text{V}$ $I_o = 0$ to $500\ \text{mA}$ $V_{in} = 4\ \text{V}$	2.79 2.79		2.91 2.91	V V
ΔV_o	Line Regulation	$V_{in} = 4.25$ to $10\ \text{V}$ $I_o = 0\ \text{mA}$		1	6	mV
ΔV_o	Load Regulation	$V_{in} = 4.25\ \text{V}$ $I_o = 0$ to $800\ \text{mA}$		1	10	mV
ΔV_o	Temperature Stability			0.5		%
ΔV_o	Long Term Stability	1000 hrs $T_j = 125^\circ\text{C}$		0.3		%
V_{in}	Operating Input Voltage	$I_o = 100\ \text{mA}$			15	V
I_d	Quiescent Current	$V_{in} \leq 10\ \text{V}$		5	10	mA
I_o	Output Current	$V_{in} = 7.85\ \text{V}$	800	950	1200	mA
eN	Output Noise Voltage	$B = 10\text{Hz}$ to 10KHz $T_j = 25^\circ\text{C}$		100		μV
SVR	Supply Voltage Rejection	$I_o = 40\ \text{mA}$ $f = 120\ \text{Hz}$ $T_j = 25^\circ\text{C}$ $V_{in} = 5.85\ \text{V}$ $V_{\text{ripple}} = 1\ \text{Vpp}$	60	75		dB
V_d	Dropout Voltage	$I_o = 100\ \text{mA}$ $I_o = 500\ \text{mA}$ $I_o = 800\ \text{mA}$		1 1.05 1.15	1.1 1.2 1.3	V V V

ELECTRICAL CHARACTERISTICS FOR LD1117#30 (refer to the test circuits,
 $P_D \leq 5W$; $T_j = 0$ to $125^\circ C$, $C_o = 10 \mu F$ unless otherwise specified)

Symbol	Parameter	Test Conditions	Min.	Typ.	Max.	Unit
V_o	Output Voltage	$V_{in} = 5 V$ $I_o = 10 mA$ $T_j = 25^\circ C$	2.97	3	3.03	V
V_o	Output Voltage	$I_o = 0$ to $800 mA$ $V_{in} = 4.5$ to $10 V$ $I_o = 0$ to $500 mA$ $V_{in} = 4.2 V$	2.94 2.94		3.06 3.06	V V
ΔV_o	Line Regulation	$V_{in} = 4.5$ to $12 V$ $I_o = 0 mA$		1	7	mV
ΔV_o	Load Regulation	$V_{in} = 4.5 V$ $I_o = 0$ to $800 mA$		1	12	mV
ΔV_o	Temperature Stability			0.5		%
ΔV_o	Long Term Stability	1000 hrs $T_j = 125^\circ C$		0.3		%
V_{in}	Operating Input Voltage	$I_o = 100 mA$			15	V
I_d	Quiescent Current	$V_{in} \leq 12 V$		5	10	mA
I_o	Output Current	$V_{in} = 8 V$	800	950	1200	mA
eN	Output Noise Voltage	$B = 10Hz$ to $10KHz$ $T_j = 25^\circ C$		100		μV
SVR	Supply Voltage Rejection	$I_o = 40 mA$ $f = 120 Hz$ $T_j = 25^\circ C$ $V_{in} = 6 V$ $V_{ripple} = 1 V_{pp}$	60	75		dB
V_d	Dropout Voltage	$I_o = 100 mA$ $I_o = 500 mA$ $I_o = 800 mA$		1 1.05 1.15	1.1 1.2 1.3	V V V

ELECTRICAL CHARACTERISTICS FOR LD1117#33 (refer to the test circuits,
 $P_D \leq 5W$; $T_j = 0$ to $125^\circ C$, $C_o = 10 \mu F$ unless otherwise specified)

Symbol	Parameter	Test Conditions	Min.	Typ.	Max.	Unit
V_o	Output Voltage	$V_{in} = 5.3 V$ $I_o = 10 mA$ $T_j = 25^\circ C$	3.27	3.3	3.33	V
V_o	Output Voltage	$I_o = 0$ to $800 mA$ $V_{in} = 4.8$ to $10 V$ $I_o = 0$ to $500 mA$ $V_{in} = 4.5 V$	3.24 3.24		3.36 3.36	V V
ΔV_o	Line Regulation	$V_{in} = 4.8$ to $12 V$ $I_o = 0 mA$		1	7	mV
ΔV_o	Load Regulation	$V_{in} = 4.8 V$ $I_o = 0$ to $800 mA$		1	12	mV
ΔV_o	Temperature Stability			0.5		%
ΔV_o	Long Term Stability	1000 hrs $T_j = 125^\circ C$		0.3		%
V_{in}	Operating Input Voltage	$I_o = 100 mA$			15	V
I_d	Quiescent Current	$V_{in} \leq 12 V$		5	10	mA
I_o	Output Current	$V_{in} = 8.3 V$	800	950	1200	mA
eN	Output Noise Voltage	$B = 10Hz$ to $10KHz$ $T_j = 25^\circ C$		100		μV
SVR	Supply Voltage Rejection	$I_o = 40 mA$ $f = 120 Hz$ $T_j = 25^\circ C$ $V_{in} = 6.3 V$ $V_{ripple} = 1 V_{pp}$	60	75		dB
V_d	Dropout Voltage	$I_o = 100 mA$ $I_o = 500 mA$ $I_o = 800 mA$		1 1.05 1.15	1.1 1.2 1.3	V V V

LD1117 SERIES

ELECTRICAL CHARACTERISTICS FOR LD1117#50 (refer to the test circuits,
 $P_D \leq 5W$; $T_j = 0$ to $125^\circ C$, $C_o = 10 \mu F$ unless otherwise specified)

Symbol	Parameter	Test Conditions	Min.	Typ.	Max.	Unit
V_o	Output Voltage	$V_{in} = 7 V$ $I_o = 10 mA$ $T_j = 25^\circ C$	4.95	5	5.05	V
V_o	Output Voltage	$I_o = 0$ to $800 mA$ $V_{in} = 6.5$ to $15 V$ $I_o = 0$ to $500 mA$ $V_{in} = 6.2 V$	4.9 4.9		5.1 5.1	V V
ΔV_o	Line Regulation	$V_{in} = 6.5$ to $15 V$ $I_o = 0 mA$		1	10	mV
ΔV_o	Load Regulation	$V_{in} = 6.5 V$ $I_o = 0$ to $800 mA$		1	15	mV
ΔV_o	Temperature Stability			0.5		%
ΔV_o	Long Term Stability	1000 hrs $T_j = 125^\circ C$		0.3		%
V_{in}	Operating Input Voltage	$I_o = 100 mA$			15	V
I_d	Quiescent Current	$V_{in} \leq 15 V$		5	10	mA
I_o	Output Current	$V_{in} = 11 V$	800	950	1200	mA
eN	Output Noise Voltage	$B = 10Hz$ to $10KHz$ $T_j = 25^\circ C$		100		μV
SVR	Supply Voltage Rejection	$I_o = 40 mA$ $f = 120 Hz$ $T_j = 25^\circ C$ $V_{in} = 8 V$ $V_{ripple} = 1 V_{pp}$	60	75		dB
V_d	Dropout Voltage	$I_o = 100 mA$ $I_o = 500 mA$ $I_o = 800 mA$		1 1.05 1.15	1.1 1.2 1.3	V V V

ELECTRICAL CHARACTERISTICS FOR LD1117(ADJUSTABLE) (refer to the test circuits,
 $P_D \leq 5W$; $T_j = 0$ to $125^\circ C$, $C_o = 10 \mu F$ unless otherwise specified)

Symbol	Parameter	Test Conditions	Min.	Typ.	Max.	Unit
V_{ref}	Reference Voltage	$V_{in} - V_o = 2 V$ $I_o = 10 mA$ $T_j = 25^\circ C$	1.238	1.25	1.262	V
V_{ref}	Reference Voltage	$I_o = 10$ to $800 mA$ $V_{in} - V_o = 1.5$ to $10 V$	1.225		1.275	V
ΔV_o	Line Regulation	$V_{in} - V_o = 1.5$ to $10 V$ $I_o = 10 mA$		1	5	mV
ΔV_o	Load Regulation	$V_{in} - V_o = 3 V$ $I_o = 0$ to $800 mA$		1	10	mV
ΔV_o	Temperature Stability			0.5		%
ΔV_o	Long Term Stability	1000 hrs $T_j = 125^\circ C$		0.3		%
$V_{in} - V_o$	Input Output Differential Voltage				15	V
ΔI_{adj}	Adjustment Pin Current Change	$V_{in} - V_o = 1.5$ to $10 V$ $I_o = 10$ to $800 mA$			5	μA
$I_{o(min)}$	Minimum Load Current	$V_{in} - V_o = 15 V$			5	mA
I_d	Quiescent Current	$V_{in} - V_o \leq 10 V$			120	μA
I_o	Output Current	$V_{in} - V_o = 5 V$	800	950	1200	mA
eN	Output Noise (% V_o)	$B = 10Hz$ to $10KHz$ $T_j = 25^\circ C$		0.003		%
SVR	Supply Voltage Rejection	$I_o = 40 mA$ $f = 120 Hz$ $T_j = 25^\circ C$ $V_{in} - V_o = 3 V$ $V_{ripple} = 1 V_{pp}$	60	75		dB
V_d	Dropout Voltage	$I_o = 100 mA$ $I_o = 500 mA$ $I_o = 800 mA$		1 1.05 1.15	1.1 1.2 1.3	V V V

ELECTRICAL CHARACTERISTICS FOR LD1117#25C (refer to the test circuits, $P_D \leq 5W$; $T_j = 0$ to $125^\circ C$, $C_o = 10 \mu F$ unless otherwise specified)

Symbol	Parameter	Test Conditions	Min.	Typ.	Max.	Unit
V_o	Output Voltage	$V_{in} = 4.5 V$ $I_o = 10 mA$ $T_j = 25^\circ C$	2.45	2.5	2.55	V
V_o	Output Voltage	$I_o = 0$ to $800 mA$ $V_{in} = 4.25$ to $10 V$ $I_o = 0$ to $500 mA$ $V_{in} = 4 V$	2.4 2.4		2.6 2.6	V V
ΔV_o	Line Regulation	$V_{in} = 3.9$ to $10 V$ $I_o = 0 mA$		1	6	mV
ΔV_o	Load Regulation	$V_{in} = 3.9 V$ $I_o = 0$ to $800 mA$		1	10	mV
ΔV_o	Temperature Stability			0.5		%
ΔV_o	Long Term Stability	1000 hrs $T_j = 125^\circ C$		0.3		%
V_{in}	Operating Input Voltage	$I_o = 100 mA$			15	V
I_d	Quiescent Current	$V_{in} \leq 10 V$		5	10	mA
I_o	Output Current	$V_{in} = 7.5 V$	800	950	1200	mA
eN	Output Noise Voltage	$B = 10Hz$ to $10KHz$ $T_j = 25^\circ C$		100		μV
SVR	Supply Voltage Rejection	$I_o = 40 mA$ $f = 120 Hz$ $T_j = 25^\circ C$ $V_{in} = 5.5 V$ $V_{ripple} = 1 V_{pp}$	60	75		dB
V_d	Dropout Voltage	$I_o = 100 mA$ $I_o = 500 mA$ $I_o = 800 mA$		1 1.05 1.15	1.1 1.2 1.3	V V V

ELECTRICAL CHARACTERISTICS FOR LD1117#30C (refer to the test circuits, $P_D \leq 5W$; $T_j = 0$ to $125^\circ C$, $C_o = 10 \mu F$ unless otherwise specified)

Symbol	Parameter	Test Conditions	Min.	Typ.	Max.	Unit
V_o	Output Voltage	$V_{in} = 5 V$ $I_o = 10 mA$ $T_j = 25^\circ C$	2.94	3	3.06	V
V_o	Output Voltage	$I_o = 0$ to $800 mA$ $V_{in} = 4.5$ to $10 V$ $I_o = 0$ to $500 mA$ $V_{in} = 4.2 V$	2.88 2.88		3.12 3.12	V V
ΔV_o	Line Regulation	$V_{in} = 4.5$ to $12 V$ $I_o = 0 mA$		1	30	mV
ΔV_o	Load Regulation	$V_{in} = 4.5 V$ $I_o = 0$ to $800 mA$		1	30	mV
ΔV_o	Temperature Stability			0.5		%
ΔV_o	Long Term Stability	1000 hrs $T_j = 125^\circ C$		0.3		%
V_{in}	Operating Input Voltage	$I_o = 100 mA$			15	V
I_d	Quiescent Current	$V_{in} \leq 12 V$		5	10	mA
I_o	Output Current	$V_{in} = 8 V$	800	950	1200	mA
eN	Output Noise Voltage	$B = 10Hz$ to $10KHz$ $T_j = 25^\circ C$		100		μV
SVR	Supply Voltage Rejection	$I_o = 40 mA$ $f = 120 Hz$ $T_j = 25^\circ C$ $V_{in} = 6 V$ $V_{ripple} = 1 V_{pp}$	60	75		dB
V_d	Dropout Voltage	$I_o = 100 mA$ $I_o = 500 mA$ $I_o = 800 mA$		1 1.05 1.15	1.1 1.2 1.3	V V V

LD1117 SERIES

ELECTRICAL CHARACTERISTICS FOR LD1117#33C (refer to the test circuits, $P_D \leq 5W$; $T_j = 0$ to $125^\circ C$, $C_o = 10 \mu F$ unless otherwise specified)

Symbol	Parameter	Test Conditions	Min.	Typ.	Max.	Unit
V_o	Output Voltage	$V_{in} = 5.3 V$ $I_o = 10 mA$ $T_j = 25^\circ C$	3.24	3.3	3.36	V
V_o	Output Voltage	$I_o = 0$ to $800 mA$ $V_{in} = 4.8$ to $10 V$ $I_o = 0$ to $500 mA$ $V_{in} = 4.5 V$	3.16 3.16		3.43 3.43	V V
ΔV_o	Line Regulation	$V_{in} = 4.8$ to $12 V$ $I_o = 0 mA$		1	30	mV
ΔV_o	Load Regulation	$V_{in} = 4.8 V$ $I_o = 0$ to $800 mA$		1	30	mV
ΔV_o	Temperature Stability			0.5		%
ΔV_o	Long Term Stability	1000 hrs $T_j = 125^\circ C$		0.3		%
V_{in}	Operating Input Voltage	$I_o = 100 mA$			15	V
I_d	Quiescent Current	$V_{in} \leq 12 V$		5	10	mA
I_o	Output Current	$V_{in} = 8.3 V$	800	950	1200	mA
eN	Output Noise Voltage	$B = 10Hz$ to $10KHz$ $T_j = 25^\circ C$		100		μV
SVR	Supply Voltage Rejection	$I_o = 40 mA$ $f = 120 Hz$ $T_j = 25^\circ C$ $V_{in} = 6.3 V$ $V_{ripple} = 1 V_{pp}$	60	75		dB
V_d	Dropout Voltage	$I_o = 100 mA$ $I_o = 500 mA$ $I_o = 800 mA$		1 1.05 1.15	1.1 1.2 1.3	V V V

ELECTRICAL CHARACTERISTICS FOR LD1117#50C (refer to the test circuits, $P_D \leq 5W$; $T_j = 0$ to $125^\circ C$, $C_o = 10 \mu F$ unless otherwise specified)

Symbol	Parameter	Test Conditions	Min.	Typ.	Max.	Unit
V_o	Output Voltage	$V_{in} = 7 V$ $I_o = 10 mA$ $T_j = 25^\circ C$	4.9	5	5.1	V
V_o	Output Voltage	$I_o = 0$ to $800 mA$ $V_{in} = 6.5$ to $15 V$ $I_o = 0$ to $500 mA$ $V_{in} = 6.2 V$	4.8 4.8		5.2 5.2	V V
ΔV_o	Line Regulation	$V_{in} = 6.5$ to $15 V$ $I_o = 0 mA$		1	50	mV
ΔV_o	Load Regulation	$V_{in} = 6.5 V$ $I_o = 0$ to $800 mA$		1	50	mV
ΔV_o	Temperature Stability			0.5		%
ΔV_o	Long Term Stability	1000 hrs $T_j = 125^\circ C$		0.3		%
V_{in}	Operating Input Voltage	$I_o = 100 mA$			15	V
I_d	Quiescent Current	$V_{in} \leq 15 V$		5	10	mA
I_o	Output Current	$V_{in} = 11 V$	800	950	1200	mA
eN	Output Noise Voltage	$B = 10Hz$ to $10KHz$ $T_j = 25^\circ C$		100		μV
SVR	Supply Voltage Rejection	$I_o = 40 mA$ $f = 120 Hz$ $T_j = 25^\circ C$ $V_{in} = 8 V$ $V_{ripple} = 1 V_{pp}$	60	75		dB
V_d	Dropout Voltage	$I_o = 100 mA$ $I_o = 500 mA$ $I_o = 800 mA$		1 1.05 1.15	1.1 1.2 1.3	V V V

TYPICAL APPLICATIONS:

FIGURE 1: Neative Supply

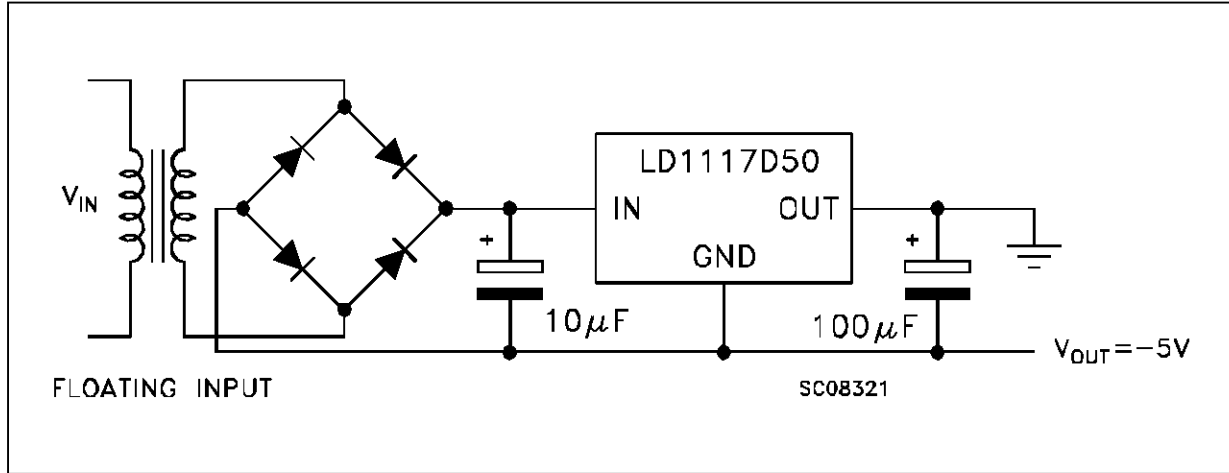


FIGURE 2: Active Terminator for SCSI-2 BUS

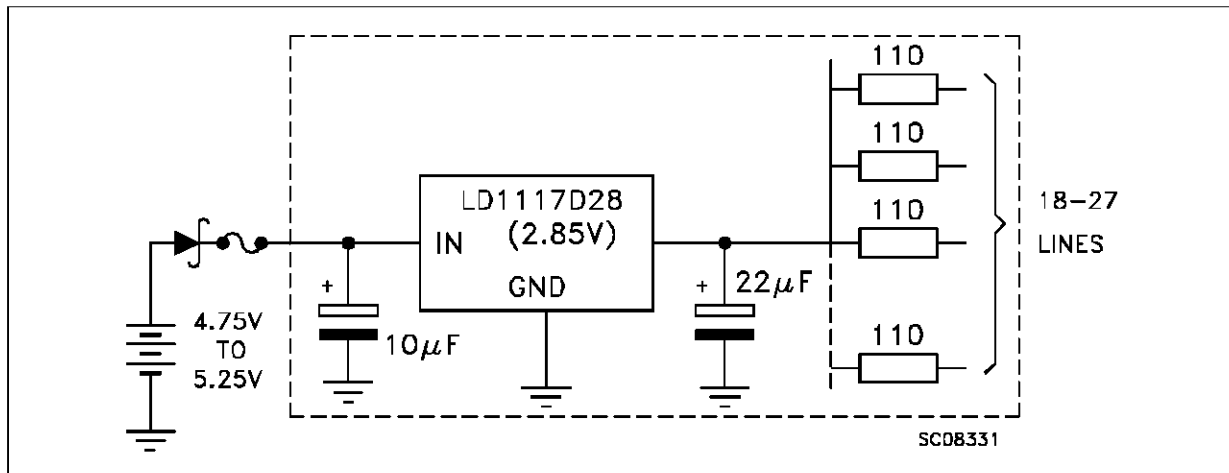
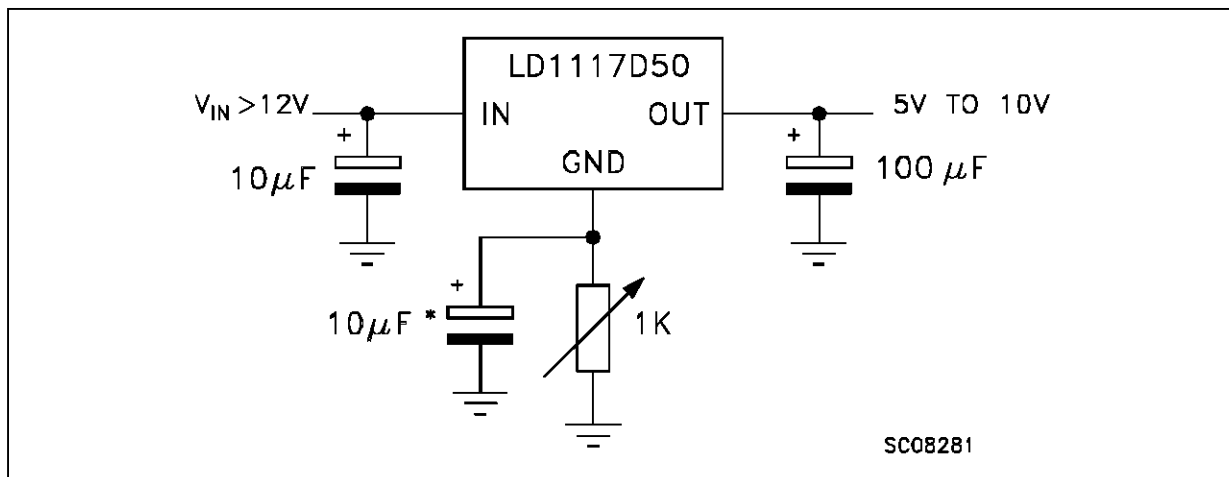


FIGURE 3: Circuit for Increasing Output Voltage



LD1117 SERIES

TYPICAL APPLICATIONS (continued):

FIGURE 4: Voltage Regulator With Reference

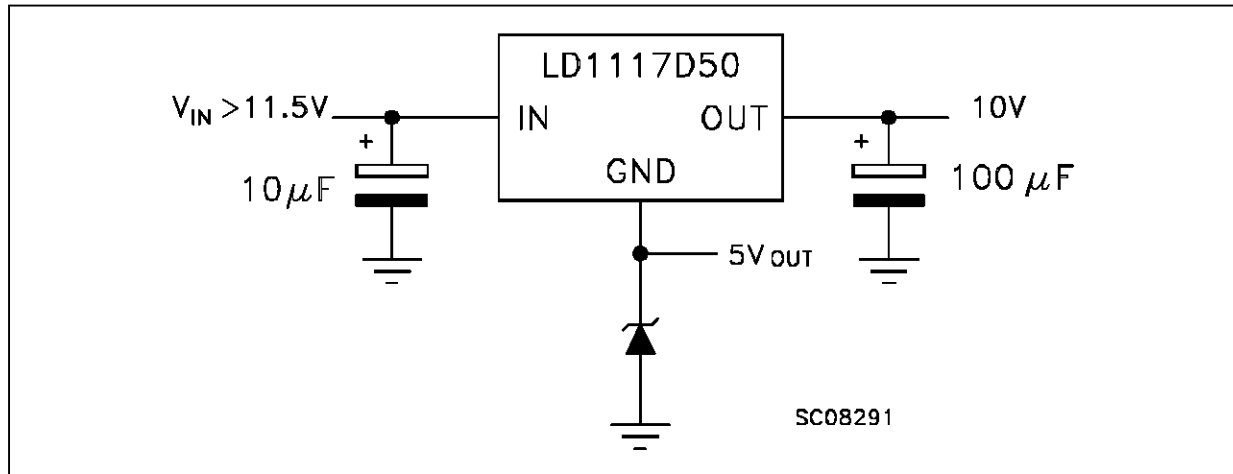
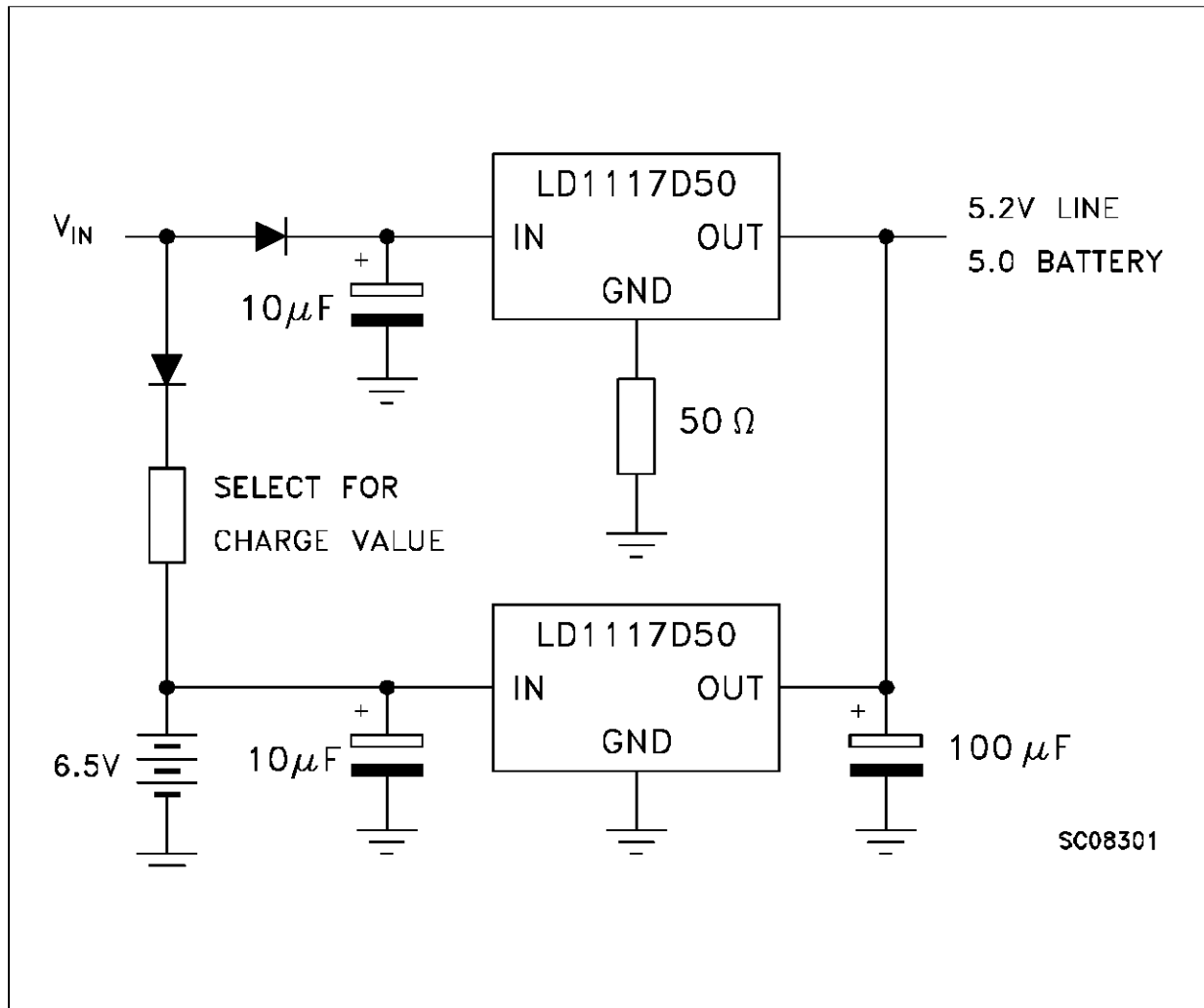
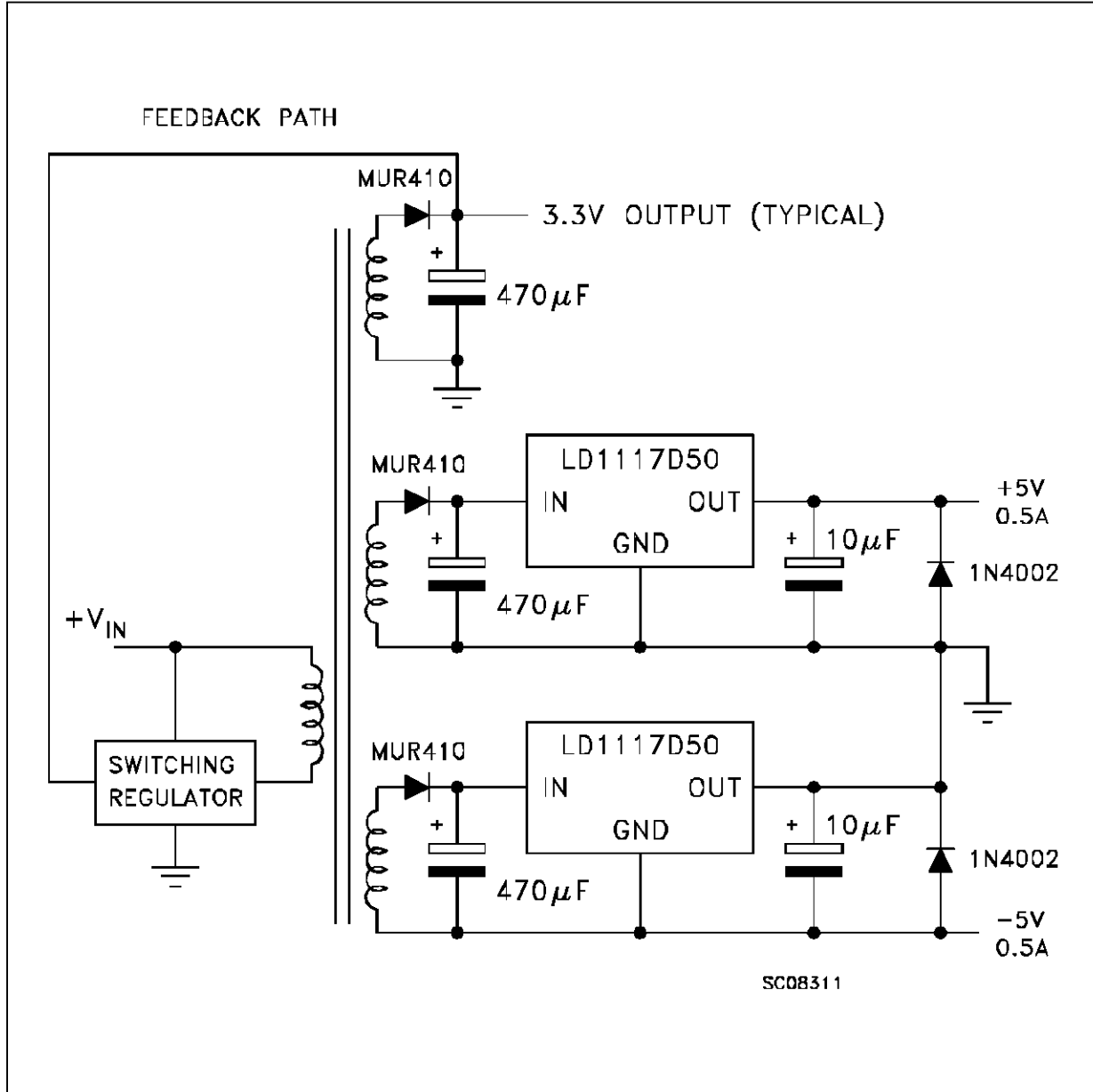


FIGURE 5: Battery Backed-up Regulated Supply



TYPICAL APPLICATIONS (continued):

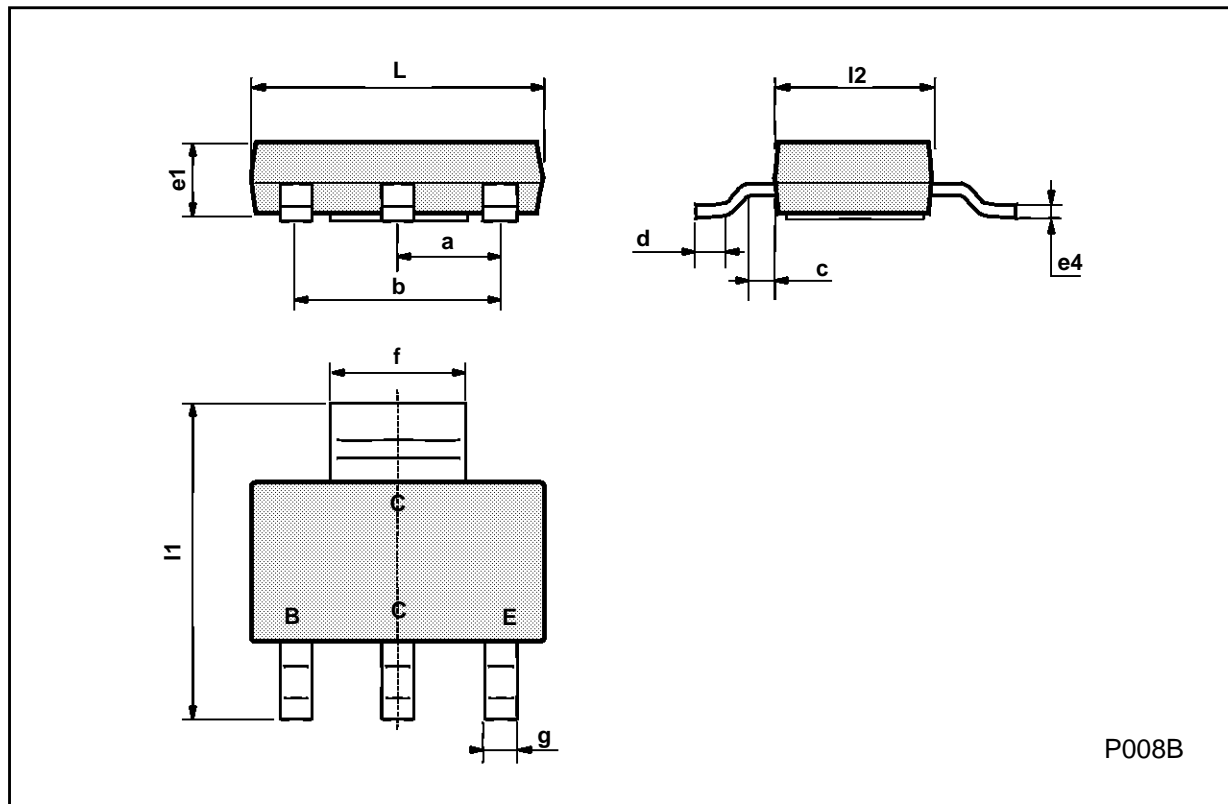
FIGURE 6: Post-Regulated Dual Supply



LD1117 SERIES

TO39 MECHANICAL DATA

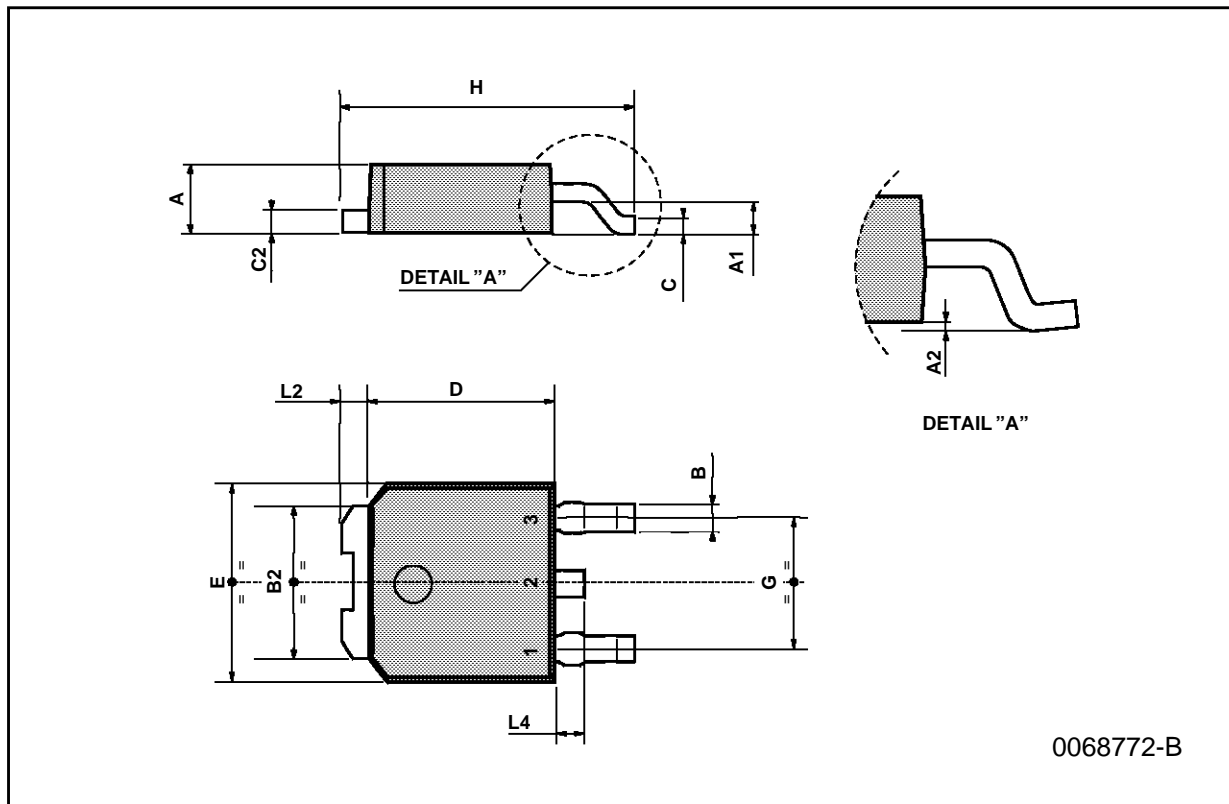
DIM.	mm			mils		
	MIN.	TYP.	MAX.	MIN.	TYP.	MAX.
a	2.27	2.3	2.33	89.4	90.6	91.7
b	4.57	4.6	4.63	179.9	181.1	182.3
c	0.2	0.4	0.6	7.9	15.7	23.6
d	0.63	0.65	0.67	24.8	25.6	26.4
e1	1.5	1.6	1.7	59.1	63	66.9
e4			0.32			12.6
f	2.9	3	3.1	114.2	118.1	122.1
g	0.67	0.7	0.73	26.4	27.6	28.7
l1	6.7	7	7.3	263.8	275.6	287.4
l2	3.5	3.5	3.7	137.8	137.8	145.7
L	6.3	6.5	6.7	248	255.9	263.8



P008B

TO-252 (DPAK) MECHANICAL DATA

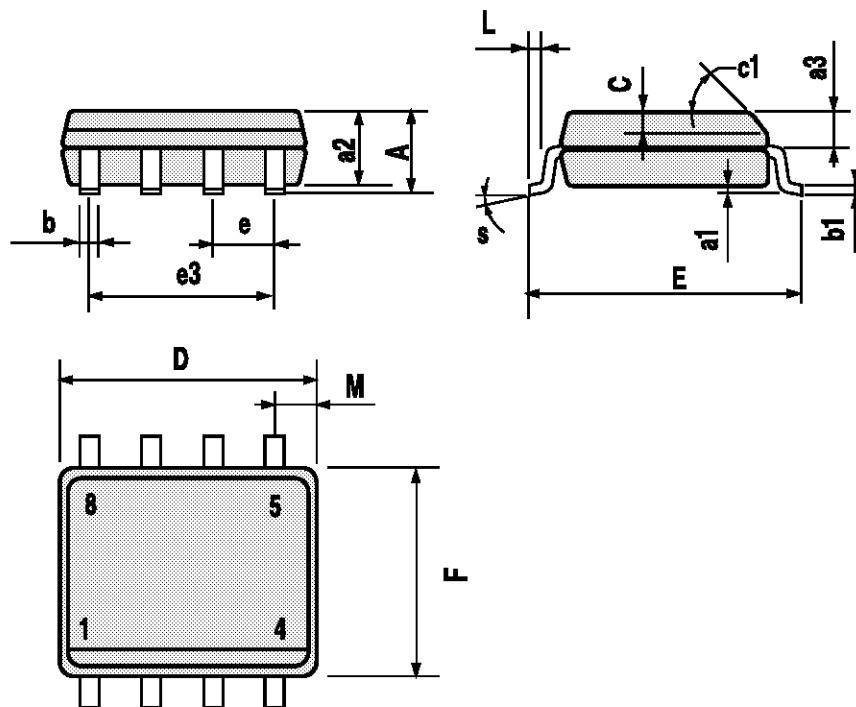
DIM.	mm			inch		
	MIN.	TYP.	MAX.	MIN.	TYP.	MAX.
A	2.2		2.4	0.086		0.094
A1	0.9		1.1	0.035		0.043
A2	0.03		0.23	0.001		0.009
B	0.64		0.9	0.025		0.035
B2	5.2		5.4	0.204		0.212
C	0.45		0.6	0.017		0.023
C2	0.48		0.6	0.019		0.023
D	6		6.2	0.236		0.244
E	6.4		6.6	0.252		0.260
G	4.4		4.6	0.173		0.181
H	9.35		10.1	0.368		0.397
L2		0.8			0.031	
L4	0.6		1	0.023		0.039



LD1117 SERIES

SO8 MECHANICAL DATA

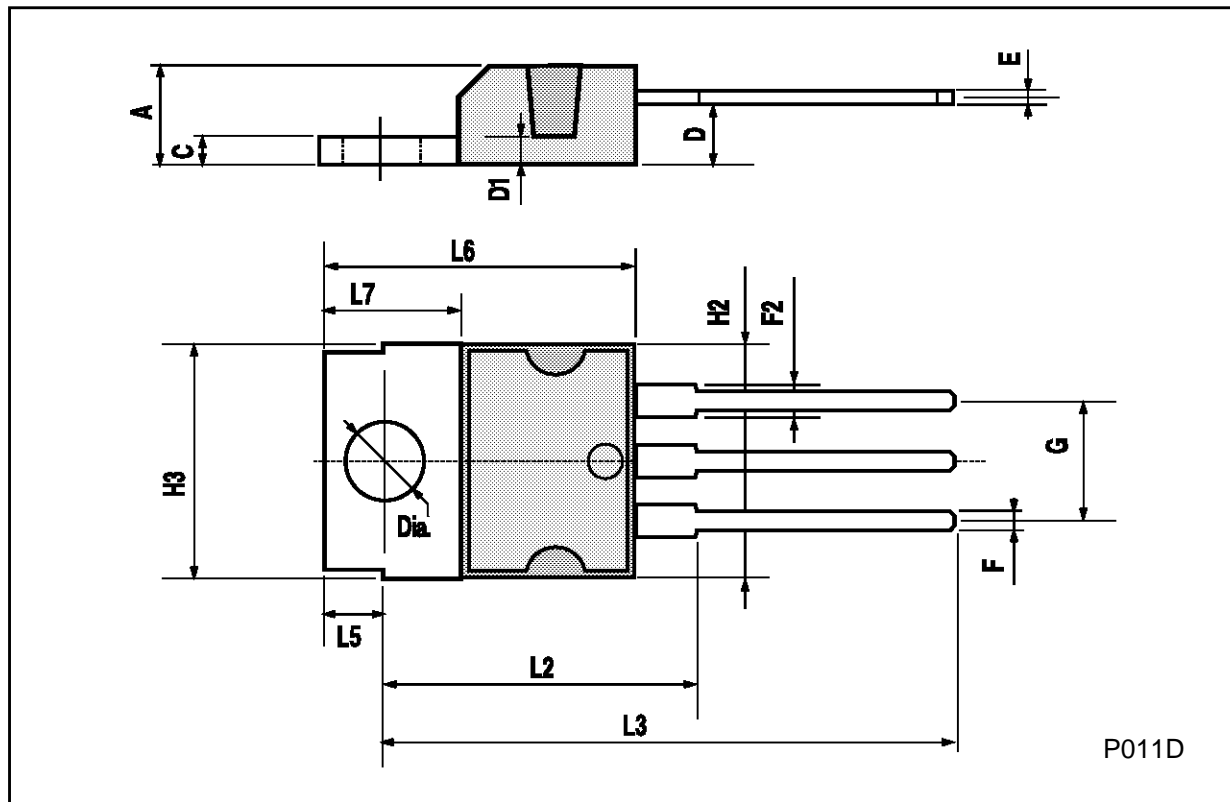
DIM.	mm			inch		
	MIN.	TYP.	MAX.	MIN.	TYP.	MAX.
A			1.75			0.068
a1	0.1		0.25	0.003		0.009
a2			1.65			0.064
a3	0.65		0.85	0.025		0.033
b	0.35		0.48	0.013		0.018
b1	0.19		0.25	0.007		0.010
C	0.25		0.5	0.010		0.019
c1	45° (typ.)					
D	4.8		5.0	0.188		0.196
E	5.8		6.2	0.228		0.244
e		1.27			0.050	
e3		3.81			0.150	
F	3.8		4.0	0.14		0.157
L	0.4		1.27	0.015		0.050
M			0.6			0.023
S	8° (max.)					



P013M

TO-220 MECHANICAL DATA

DIM.	mm			inch		
	MIN.	TYP.	MAX.	MIN.	TYP.	MAX.
A			4.8			0.189
C			1.37			0.054
D	2.4		2.8	0.094		0.110
D1	1.2		1.35	0.047		0.053
E	0.35		0.55	0.014		0.022
F	0.8		1.05	0.031		0.041
F2	1.15		1.4	0.045		0.055
G	4.95	5.08	5.21	0.195	0.200	0.205
H2			10.4			0.409
H3	10.05		10.4	0.396		0.409
L2		16.2			0.638	
L3	26.3	26.7	27.1	1.035	1.051	1.067
L5	2.6		3	0.102		0.118
L6	15.1		15.8	0.594		0.622
L7	6		6.6	0.236		0.260
Dia.	3.65		3.85	0.144		0.152



LD1117 SERIES

Information furnished is believed to be accurate and reliable. However, SGS-THOMSON Microelectronics assumes no responsibility for the consequences of use of such information nor for any infringement of patents or other rights of third parties which may result from its use. No license is granted by implication or otherwise under any patent or patent rights of SGS-THOMSON Microelectronics. Specifications mentioned in this publication are subject to change without notice. This publication supersedes and replaces all information previously supplied. SGS-THOMSON Microelectronics products are not authorized for use as critical components in life support devices or systems without express written approval of SGS-THOMSON Microelectronics.

© 1994 SGS-THOMSON Microelectronics - All Rights Reserved

SGS-THOMSON Microelectronics GROUP OF COMPANIES

Australia - Brazil - France - Germany - Hong Kong - Italy - Japan - Korea - Malaysia - Malta - Morocco - The Netherlands -
Singapore - Spain - Sweden - Switzerland - Taiwan - Thailand - United Kingdom - U.S.A